

Calibrating square drive unit

70VK



Art.No. 59011014
GTIN 4018754192342
Model 70 VK 11

Label. Calibrating square drive unit f.734/4 L.24,7mm

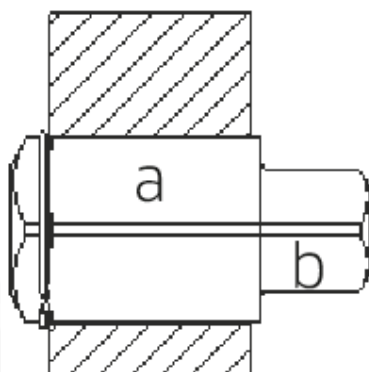
Features.

- without a ball or pin (so not suitable for bolt tightening)
- optimum measuring results during calibration thanks to reduced lateral forces

Advantages.

STAHLWILLE: For over 160 years, we as a traditional German company from Wuppertal have stood for tools that are appreciated around the world for their excellent quality

Technical Drawing.



Technical Attributes.

| | |
|------------------------------------|---------|
| Output square drive outside (inch) | 3/8" |
| Square drive | 1/4" |
| For no. | 734/4 |
| Size | 11 |
| Length mm (L) | 24,7 mm |

Logistics data.

| | |
|--|-----------------------|
| Length (IFS) | 23 |
| Width (IFS) | 10 |
| Height (IFS) | 10 |
| Length (packed, mm) | 110 |
| Width (packed, mm) | 90 |
| Height (packed, mm) | 10 |
| Volume (packed, mm) | 0.099 dm ³ |
| Code | 59011014 |
| Weight (gross, kg) | 0,074 |
| Weight PAP (kg) | 0,000 |
| Weight PVC (kg) | 0,003 |
| GTIN | 4018754192342 |
| Country of origin | GERMANY |
| Region of origin | Nordrhein-Westfalen |
| WEEE/Electrical Act | nicht ear-pflichtig |
| Customs tariff no. | 82041100 |
| Numbers of content units per order units | 5 |
| Weight | 12 g |

Variants.

| Code | Article number (ERP) | Article description (Autom._) | GTIN |
|----------|----------------------|---|---------------|
| 59011014 | 70 VK 11 | Calibrating square drive unit f.734/4 L.24,7mm | 4018754192342 |
| 59011003 | 70 VK 3 | Calibrating square drive unit f.735/5 L.27,6mm | 4018754192311 |
| 59011012 | 70 VK 12 | Calibrating square drive unit f.734/10; 734/20 L.32,5mm | 4018754241873 |
| 59011011 | 70 VK 502 1/2 | Calibrating square drive unit f.734/20 L.36,9mm | 4018754192335 |
| 59011008 | 70 VK 8 | Calibrating square drive unit f.734/40; 734/80; 734/100 L.52,2mm | 4018754192328 |

GTIN-Code.



STAHLWILLE Eduard Wille GmbH & Co. KG

Lindenallee 27 · 42349 Wuppertal · Germany · Phone: +49 202 4791-0 · Fax: +49 202 4791-200
info@stahlwille.de · www.stahlwille.de · Copyright by STAHLWILLE Eduard Wille GmbH & Co. KG, Wuppertal
Copyright by STAHLWILLE Eduard Wille GmbH & Co. KG, Wuppertal