

## Calibrating square drive unit

70VK



Art.No. 59011012  
GTIN 4018754241873  
Model 70 VK 12

**Label.** Calibrating square drive unit f.734/10; 734/20 L.32,5mm

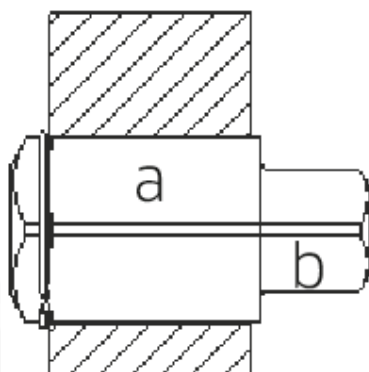
**Features.**

- without a ball or pin (so not suitable for bolt tightening)
- optimum measuring results during calibration thanks to reduced lateral forces

## Advantages.

STAHLWILLE: For over 160 years, we as a traditional German company from Wuppertal have stood for tools that are appreciated around the world for their excellent quality

## Technical Drawing.



## Technical Attributes.

|                                    |                |
|------------------------------------|----------------|
| Output square drive outside (inch) | 1/2"           |
| Square drive                       | 3/8"           |
| For no.                            | 734/10; 734/20 |
| Size                               | 12             |
| Length mm (L)                      | 32,5 mm        |

## Logistics data.

|  |                          |
|--|--------------------------|
| Length (IFS)                             | 35                       |
| Width (IFS)                              | 20                       |
| Height (IFS)                             | 20                       |
| Length (packed, mm)                      | 37                       |
| Width (packed, mm)                       | 22                       |
| Height (packed, mm)                      | 22                       |
| Volume (packed, mm)                      | 0.017908 dm <sup>3</sup> |
| Code                                     | 59011012                 |
| Weight (gross, kg)                       | 0,035                    |
| Weight PAP (kg)                          | 0,000                    |
| Weight PVC (kg)                          | 0,000                    |
| GTIN                                     | 4018754241873            |
| Country of origin                        | GERMANY                  |
| Region of origin                         | Nordrhein-Westfalen      |
| WEEE/Electrical Act                      | nicht ear-pflichtig      |
| Customs tariff no.                       | 82042000                 |
| Numbers of content units per order units | 5                        |
| Weight                                   | 34 g                     |

## Variants.

| Code     | Article number (ERP) | Article description (Autom._)                                    | GTIN          |
|----------|----------------------|--|---------------|
| 59011014 | 70 VK 11             | Calibrating square drive unit f.734/4 L.24,7mm                   | 4018754192342 |
| 59011003 | 70 VK 3              | Calibrating square drive unit f.735/5 L.27,6mm                   | 4018754192311 |
| 59011012 | 70 VK 12             | Calibrating square drive unit f.734/10; 734/20 L.32,5mm          | 4018754241873 |
| 59011011 | 70 VK 502 1/2        | Calibrating square drive unit f.734/20 L.36,9mm                  | 4018754192335 |
| 59011008 | 70 VK 8              | Calibrating square drive unit f.734/40; 734/80; 734/100 L.52,2mm | 4018754192328 |

## GTIN-Code.



**STAHLWILLE Eduard Wille GmbH & Co. KG**

Lindenallee 27 · 42349 Wuppertal · Germany · Phone: +49 202 4791-0 · Fax: +49 202 4791-200  
info@stahlwille.de · www.stahlwille.de · Copyright by STAHLWILLE Eduard Wille GmbH & Co. KG, Wuppertal  
Copyright by STAHLWILLE Eduard Wille GmbH & Co. KG, Wuppertal