



Socket

51S

Art.No. **03240208**
GTIN **4018754007196**
Model **51 S 20,8**



Label. 1/2" Socket size 20,8-13/16mm/" L.83mm

Features.

- extra deep
- DIN 3124/ISO 2725-1, DIN EN 3710, DIN EN 3709 (test loads)
- HPQ® high performance steel, chrome plated

Advantages.

Long STAHLWILLE: For over 160 years, we as a traditional German company from Wuppertal have stood for tools that are appreciated around the world for their excellent quality

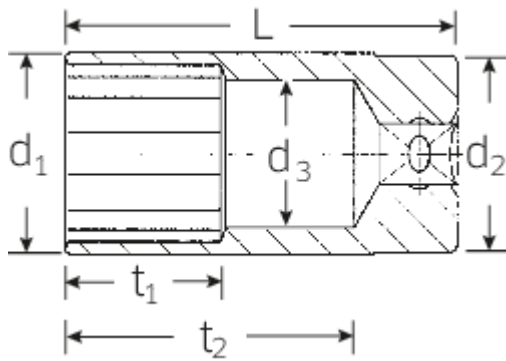
Product highlights.



CONVENIENT.

Do you need empty cases? If so, include the appropriate hard-foam inlays from STAHLWILLE in your order. Together with the new tool cases, they ensure an exact fit and, as a result, excellent protection for your tools.

Technical Drawing.



Technical Attributes.

Output profile	Hexagon AS drive
Drive square internal (inch)	1/2"
d1	27,7 mm
d2	26 mm
d3	20 mm
Length mm (L)	83 mm
Size [mm and Inch]	20,8-13/16
t1	22 mm
t2	66,2 mm

Logistics data.

Length (IFS)	83
Width (IFS)	28
Height (IFS)	28
Length (packed, mm)	145
Width (packed, mm)	90
Height (packed, mm)	54
Volume (packed, mm)	0.7047 dm ³
Code	03240208
Weight (gross, kg)	1,960
Weight PAP (kg)	0,000
Weight PVC (kg)	0,010
GTIN	4018754007196
Country of origin	GERMANY
Region of origin	Nordrhein-Westfalen
WEEE/Electrical Act	nicht ear-pflichtig
Customs tariff no.	82042000
Numbers of content units per order units	10
Weight	196 g

Variants.

Code	Article number (ERP)	Article description (Autom._)	GTIN
03240017	51 S 17	1/2" Socket size 17mm L.83mm	4018754007165
03240019	51 S 19	1/2" Socket size 19mm L.83mm	4018754007172

03240022	51 S 22	1/2" Socket size 22mm L.83mm	4018754007189
03240208	51 S 20,8	1/2" Socket size 20,8-13/16mm/" L.83mm	4018754007196

GTIN-Code.



STAHLWILLE Eduard Wille GmbH & Co. KG

Lindenallee 27 · 42349 Wuppertal · Germany · Phone: +49 202 4791-0 · Fax: +49 202 4791-200
info@stahlwille.de · www.stahlwille.de · Copyright by STAHLWILLE Eduard Wille GmbH & Co. KG, Wuppertal
Copyright by STAHLWILLE Eduard Wille GmbH & Co. KG, Wuppertal