

Calibrating square drive unit

70VK



Art.No. 59011003
GTIN 4018754192311
Model 70 VK 3

Label. Calibrating square drive unit f.735/5 L.27,6mm

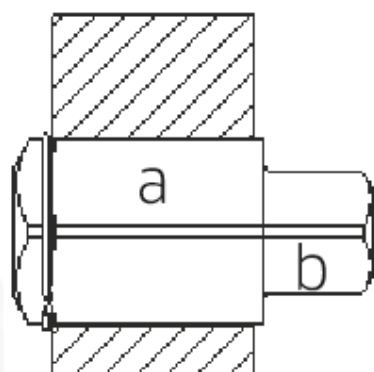
Features.

- without a ball or pin (so not suitable for bolt tightening)
- optimum measuring results during calibration thanks to reduced lateral forces

Advantages.

STAHLWILLE: For over 160 years, we as a traditional German company from Wuppertal have stood for tools that are appreciated around the world for their excellent quality

Technical Drawing.



Technical Attributes.

Output square drive outside (inch)	3/8"
Square drive	3/8"
For no.	735/5
Size	3
Length mm (L)	27,6 mm

Logistics data.

Length (IFS)	26
Width (IFS)	10
Height (IFS)	10
Length (packed, mm)	140
Width (packed, mm)	90
Height (packed, mm)	15
Volume (packed, mm)	0.189 dm ³
Code	59011003
Weight (gross, kg)	0,099
Weight PAP (kg)	0,000
Weight PVC (kg)	0,003
GTIN	4018754192311
Country of origin	GERMANY
Region of origin	Nordrhein-Westfalen
WEEE/Electrical Act	nicht ear-pflichtig
Customs tariff no.	82042000
Numbers of content units per order units	5
Weight	17 g

Variants.

Code	Article number (ERP)	Article description (Autom._)	GTIN
59011014	70 VK 11	Calibrating square drive unit f.734/4 L.24,7mm	4018754192342
59011003	70 VK 3	Calibrating square drive unit f.735/5 L.27,6mm	4018754192311
59011012	70 VK 12	Calibrating square drive unit f.734/10; 734/20 L.32,5mm	4018754241873
59011011	70 VK 502 1/2	Calibrating square drive unit f.734/20 L.36,9mm	4018754192335
59011008	70 VK 8	Calibrating square drive unit f.734/40; 734/80; 734/100 L.52,2mm	4018754192328

GTIN-Code.



STAHLWILLE Eduard Wille GmbH & Co. KG

Lindenallee 27 · 42349 Wuppertal · Germany · Phone: +49 202 4791-0 · Fax: +49 202 4791-200
info@stahlwille.de · www.stahlwille.de · Copyright by STAHLWILLE Eduard Wille GmbH & Co. KG, Wuppertal
Copyright by STAHLWILLE Eduard Wille GmbH & Co. KG, Wuppertal