

## Socket spline-drive

### 50aPLSP



Art.No. **03013028**  
GTIN **4018754141524**  
Model **50APL SP 14 = 7/16**



**Label.** 1/2" Socket spline-drive size 7/16" L.50mm

- Features.**
- for external Spline-Drive screws
  - extra deep
  - bolt clearance
  - MS-33787
  - HPQ® high performance steel, gunmetal finish

## Advantages.

For external spline drive screws

STAHLWILLE: For over 160 years, we as a traditional German company from Wuppertal have stood for tools that are appreciated around the world for their excellent quality

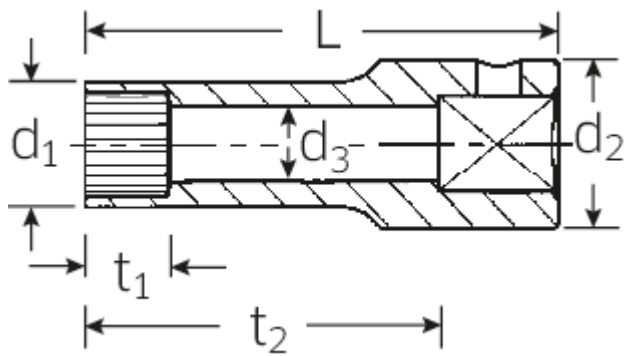
## Technologies and features.



### High Performance Quality (HPQ®)

High-performance steel, extremely resilient, yet thin-walled and ideal for working in confined spaces.

## Technical Drawing.



## Technical Attributes.

Output profile	Spline-drive
Drive square internal (inch)	1/2"
d1	18 mm
d2	23,7 mm
d3	10,4 mm
Size Output profile	14
Length mm (L)	50 mm
Size [inch]	7/16 "
t1	11 mm
t2	34 mm

## Logistics data.

Length (IFS)	50
Width (IFS)	24
Height (IFS)	24
Length (packed, mm)	155
Width (packed, mm)	75
Height (packed, mm)	25
Volume (packed, mm)	0.290625 dm <sup>3</sup>
Code	03013028
Weight (gross, kg)	0,400
Weight PAP (kg)	0,000
Weight PVC (kg)	0,008
GTIN	4018754141524
Country of origin	GERMANY
Region of origin	Nordrhein-Westfalen
WEEE/Electrical Act	nicht ear-pflichtig
Customs tariff no.	82042000
Numbers of content units per order units	5
Weight	83 g

## Variants.

Code	Article number (ERP)	Article description (Autom.)	GTIN
03013028	50APL SP 14 = 7/16	1/2" Socket spline-drive size 7/16" L.50mm	4018754141524

## GTIN-Code.



**STAHLWILLE Eduard Wille GmbH & Co. KG**

Lindenallee 27 · 42349 Wuppertal · Germany · Phone: +49 202 4791-0 · Fax: +49 202 4791-200  
info@stahlwille.de · www.stahlwille.de · Copyright by STAHLWILLE Eduard Wille GmbH & Co. KG, Wuppertal  
Copyright by STAHLWILLE Eduard Wille GmbH & Co. KG, Wuppertal