



Socket

45TX

Art.No. **02270010**
GTIN **4018754003693**
Model **45 TX E 10**



Label. 3/8" Socket L.28mm

Features.

- for external TORX® screws
- HPQ® high performance steel, chrome plated

Advantages.

For external TORX® screws

STAHLWILLE: For over 160 years, we as a traditional German company from Wuppertal have stood for tools that are appreciated around the world for their excellent quality

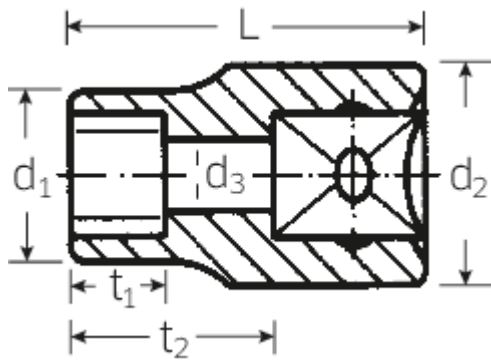
Technologies and features.



High Performance Quality (HPQ®)

High-performance steel, extremely resilient, yet thin-walled and ideal for working in confined spaces.

Technical Drawing.



Technical Attributes.

Output profile	TORX®
Drive square internal (inch)	3/8"
Size Output profile	E10
Length mm (L)	28 mm

Logistics data.

Length (IFS)	28
Width (IFS)	17
Height (IFS)	17
Length (packed, mm)	95
Width (packed, mm)	40
Height (packed, mm)	30
Volume (packed, mm)	0.114 dm3
Code	02270010
Weight (gross, kg)	0,270
Weight PAP (kg)	0,000
Weight PVC (kg)	0,005
GTIN	4018754003693
Country of origin	GERMANY
Region of origin	Nordrhein-Westfalen
WEEE/Electrical Act	nicht ear-pflichtig
Customs tariff no.	82042000
Numbers of content units per order units	10
Weight	27 g

Variants.

Code	Article number (ERP)	Article description (Autom.)	GTIN
02270005	45 TX E 5	3/8" Socket L.28mm	4018754003655
02270006	45 TX E 6	3/8" Socket L.28mm	4018754003662

02270007	45 TX E 7	3/8" Socket L.28mm	4018754003679
02270008	45 TX E 8	3/8" Socket L.28mm	4018754003686
02270010	45 TX E 10	3/8" Socket L.28mm	4018754003693
02270012	45 TX E 12	3/8" Socket L.28mm	4018754003709
02270014	45 TX E 14	3/8" Socket L.28mm	4018754003716

GTIN-Code.



STAHLWILLE Eduard Wille GmbH & Co. KG

Lindenallee 27 · 42349 Wuppertal · Germany · Phone: +49 202 4791-0 · Fax: +49 202 4791-200
info@stahlwille.de · www.stahlwille.de · Copyright by STAHLWILLE Eduard Wille GmbH & Co. KG, Wuppertal
Copyright by STAHLWILLE Eduard Wille GmbH & Co. KG, Wuppertal