



Socket

50TX

Art.No. **03270010**
GTIN **4018754007257**
Model **50 TX E 10**



Label. 1/2" Socket L.38mm

Features.

- for external TORX® screws
- HPQ® high performance steel, chrome plated

Advantages.

For external TORX® screws

STAHLWILLE: For over 160 years, we as a traditional German company from Wuppertal have stood for tools that are appreciated around the world for their excellent quality

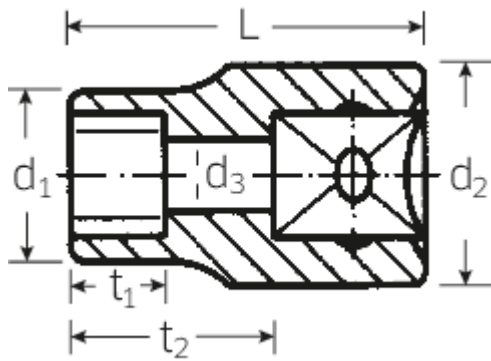
Technologies and features.



High Performance Quality (HPQ®)

High-performance steel, extremely resilient, yet thin-walled and ideal for working in confined spaces.

Technical Drawing.



Technical Attributes.

Output profile	TORX®
Drive square internal (inch)	1/2"
Size Output profile	E10
Length mm (L)	38 mm

Logistics data.

Length (IFS)	38
Width (IFS)	22
Height (IFS)	22
Length (packed, mm)	100
Width (packed, mm)	85
Height (packed, mm)	41
Volume (packed, mm)	0.3485 dm ³
Code	03270010
Weight (gross, kg)	0,530
Weight PAP (kg)	0,000
Weight PVC (kg)	0,005
GTIN	4018754007257
Country of origin	GERMANY
Region of origin	Nordrhein-Westfalen
WEEE/Electrical Act	nicht ear-pflichtig
Customs tariff no.	82042000
Numbers of content units per order units	10
Weight	55 g

Variants.

Code	Article number (ERP)	Article description (Autom.)	GTIN
03270010	50 TX E 10	1/2" Socket L.38mm	4018754007257
03270011	50 TX E 11	1/2" Socket L.38mm	4018754007264

03270012	50 TX E 12	1/2" Socket L.38mm	4018754007271
03270014	50 TX E 14	1/2" Socket L.38mm	4018754007288
03270016	50 TX E 16	1/2" Socket L.38mm	4018754007295
03270018	50 TX E 18	1/2" Socket L.38mm	4018754007301
03270020	50 TX E 20	1/2" Socket L.38mm	4018754007318
03270024	50 TX E 24	1/2" Socket L.41,2mm	4018754007325

GTIN-Code.



STAHLWILLE Eduard Wille GmbH & Co. KG

Lindenallee 27 · 42349 Wuppertal · Germany · Phone: +49 202 4791-0 · Fax: +49 202 4791-200
info@stahlwille.de · www.stahlwille.de · Copyright by STAHLWILLE Eduard Wille GmbH & Co. KG, Wuppertal
Copyright by STAHLWILLE Eduard Wille GmbH & Co. KG, Wuppertal