



Sockets

40

Art.No. 01010004
GTIN 4018754000005
Model 40 4



Label. 1/4" Sockets size 4mm L.23mm

Features.

- DIN 3124/ISO 2725-1, ASME B 107.5M, DIN EN 3709 (test loads)
- HPQ® high performance steel, chrome plated

Advantages.

The special AS drive profile enables high force transmission to the sides of nuts and bolts without damaging them

1/4" drive, with chrome-plated, corrosion-resistant surface for a long service life

Robust quality tool for the professional user – Made in Germany

High Performance Quality (HPQ®) reinforcing steel, extremely resilient, thin-walled and ideal for working in tight spaces

Ideal for a wide range of car, bicycle, motorcycle, and industrial jobs

Product highlights.



CONVENIENT.

Do you need empty cases? If so, include the appropriate hard-foam inlays from STAHLWILLE in your order. Together with the new tool cases, they ensure an exact fit and, as a result, excellent protection for your tools.

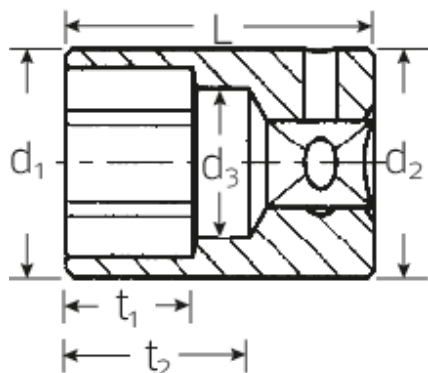
Technologies and features.



High Performance Quality (HPQ®)

High-performance steel, extremely resilient, yet thin-walled and ideal for working in confined spaces.

Technical Drawing.



Technical Attributes.

Output profile	Hexagon AS drive
Drive square internal (inch)	1/4"
d1	6,7 mm
d2	10,7 mm
d3	3,2 mm
Length mm (L)	23 mm
Size [mm]	4 mm
t1	3,5 mm
t2	15 mm

Logistics data.

Length (IFS)	23
Width (IFS)	11
Height (IFS)	11
Length (packed, mm)	93
Width (packed, mm)	33
Height (packed, mm)	15
Volume (packed, mm)	0.046035 dm ³
Code	01010004
Weight (gross, kg)	0,093
Weight PAP (kg)	0,000
Weight PVC (kg)	0,002
GTIN	4018754000005
Country of origin	GERMANY
Region of origin	Nordrhein-Westfalen
WEEE/Electrical Act	nicht ear-pflichtig
Customs tariff no.	82042000
Numbers of content units per order units	10
Weight	9 g

Variants.

Code	Article number (ERP)	Article description (Autom.)	GTIN
01010003	40 3	1/4" Socket size 3mm L.23mm	4018754194179
01010004	40 4	1/4" Sockets size 4mm L.23mm	4018754000005
01010005	40 5	1/4" Sockets size 5mm L.23mm	4018754000012
01010006	40 6	1/4" Sockets size 6mm L.23mm	4018754000029
01010007	40 7	1/4" Sockets size 7mm L.23mm	4018754000036
01010008	40 8	1/4" Sockets size 8mm L.23mm	4018754000043
01010009	40 9	1/4" Sockets size 9mm L.23mm	4018754000050
01010010	40 10	1/4" Sockets size 10mm L.23mm	4018754000067
01010011	40 11	1/4" Sockets size 11mm L.23mm	4018754000074
01010012	40 12	1/4" Sockets size 12mm L.23mm	4018754000081
01010013	40 13	1/4" Sockets size 13mm L.23mm	4018754000098
01010014	40 14	1/4" Sockets size 14mm L.24mm	4018754000104
01010032	40 3,2	1/4" Sockets size 3,2mm L.23mm	4018754000111
01010035	40 3,5	1/4" Sockets size 3,5mm L.23mm	4018754000128
01010045	40 4,5	1/4" Sockets size 4,5mm L.23mm	4018754000135
01010055	40 5,5	1/4" Sockets size 5,5mm L.23mm	4018754000142

GTIN-Code.



STAHLWILLE Eduard Wille GmbH & Co. KG

Lindenallee 27 · 42349 Wuppertal · Germany · Phone: +49 202 4791-0 · Fax: +49 202 4791-200

info@stahlwille.de · www.stahlwille.com · Copyright by STAHLWILLE Eduard Wille GmbH & Co. KG, Wuppertal

Copyright by STAHLWILLE Eduard Wille GmbH & Co. KG, Wuppertal