



## Socket

51

Art.No. **03020018**  
GTIN **4018754005628**  
Model **51 18**



**Label.** 1/2" Socket size 18mm L.83mm

**Features.**

- extra deep
- DIN 3124/ISO 2725-1, DIN EN 3710, DIN EN 3709, ASME B 107.5M
- HPQ® high performance steel, chrome plated

## Advantages.

Long **STAHLWILLE:** For over 160 years, we as a traditional German company from Wuppertal have stood for tools that are appreciated around the world for their excellent quality

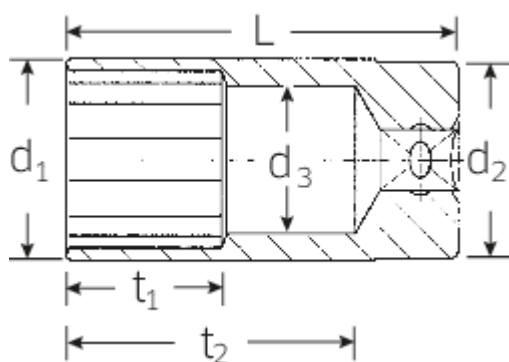
## Product highlights.



### CONVENIENT.

Do you need empty cases? If so, include the appropriate hard-foam inlays from STAHLWILLE in your order. Together with the new tool cases, they ensure an exact fit and, as a result, excellent protection for your tools.

## Technical Drawing.



## Technical Attributes.

|                              |                         |
|------------------------------|-------------------------|
| Output profile               | Double hexagon AS-drive |
| Drive square internal (inch) | 1/2"                    |
| d1                           | 24,7 mm                 |
| d2                           | 23,7 mm                 |
| d3                           | 17 mm                   |
| Length mm (L)                | 83 mm                   |
| Size [mm and Inch]           | 18                      |
| t1                           | 35 mm                   |
| t2                           | 64,1 mm                 |

## Logistics data.

|  |                        |
|--|------------------------|
| Length (IFS)                             | 83                     |
| Width (IFS)                              | 25                     |
| Height (IFS)                             | 25                     |
| Length (packed, mm)                      | 130                    |
| Width (packed, mm)                       | 85                     |
| Height (packed, mm)                      | 52                     |
| Volume (packed, mm)                      | 0.5746 dm <sup>3</sup> |
| Code                                     | 03020018               |
| Weight (gross, kg)                       | 1,450                  |
| Weight PAP (kg)                          | 0,000                  |
| Weight PVC (kg)                          | 0,008                  |
| GTIN                                     | 4018754005628          |
| Country of origin                        | GERMANY                |
| Region of origin                         | Nordrhein-Westfalen    |
| WEEE/Electrical Act                      | nicht ear-pflichtig    |
| Customs tariff no.                       | 82042000               |
| Numbers of content units per order units | 10                     |
| Weight                                   | 170 g                  |

## Variants.

| Code     | Article number (ERP) | Article description (Autom._) | GTIN          |
|----------|----------------------|-------------------------------|---------------|
| 03020010 | 51 10                | 1/2" Socket size 10mm L.83mm  | 4018754167678 |
| 03020013 | 51 13                | 1/2" Socket size 13mm L.83mm  | 4018754005574 |

|          |               |  |               |
|----------|---------------|--|---------------|
| 03020014 | 51 14         | 1/2" Socket size 14mm L.83mm           | 4018754005581 |
| 03020015 | 51 15         | 1/2" Socket size 15mm L.83mm           | 4018754005598 |
| 03020016 | 51 16         | 1/2" Socket size 16mm L.83mm           | 4018754005604 |
| 03020017 | 51 17         | 1/2" Socket size 17mm L.83mm           | 4018754005611 |
| 03020018 | 51 18         | 1/2" Socket size 18mm L.83mm           | 4018754005628 |
| 03020019 | 51 19         | 1/2" Socket size 19mm L.83mm           | 4018754005635 |
| 03020021 | 51 21         | 1/2" Socket size 21mm L.83mm           | 4018754005642 |
| 03020022 | 51 22         | 1/2" Socket size 22mm L.83mm           | 4018754005659 |
| 03020024 | 51 24         | 1/2" Socket size 24mm L.83mm           | 4018754005673 |
| 03020026 | 51 26         | 1/2" Socket size 26mm L.83mm           | 4018754005680 |
| 03020027 | 51 27         | 1/2" Socket size 27mm L.83mm           | 4018754005697 |
| 03020030 | 51 30         | 1/2" Socket size 30mm L.83mm           | 4018754005710 |
| 03020032 | 51 32         | 1/2" Socket size 32mm L.83mm           | 4018754005727 |
| 03020208 | 51 20,8-13/16 | 1/2" Socket size 20,8-13/16mm/" L.83mm | 4018754005734 |
| 03020216 | 51 16-5/8     | 1/2" Socket size 16-5/8mm/" L.83mm     | 4018754005741 |

## GTIN-Code.



### STAHLWILLE Eduard Wille GmbH & Co. KG

Lindenallee 27 · 42349 Wuppertal · Germany · Phone: +49 202 4791-0 · Fax: +49 202 4791-200  
info@stahlwille.de · www.stahlwille.com · Copyright by STAHLWILLE Eduard Wille GmbH & Co. KG, Wuppertal  
Copyright by STAHLWILLE Eduard Wille GmbH & Co. KG, Wuppertal