

415
435
512
516
532
532/1
532/2
552
882

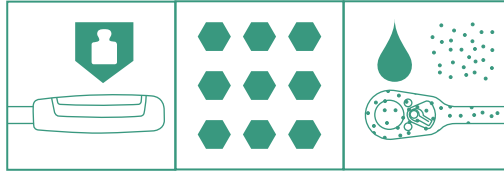


MADE IN CROMBERG
MADE IN GERMANY

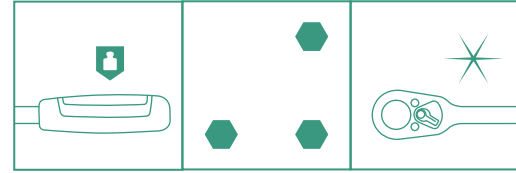
Repair instructions



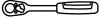


FREQUENT USE



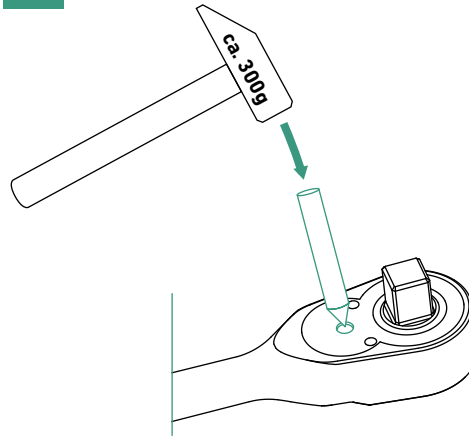
INFREQUENT USE



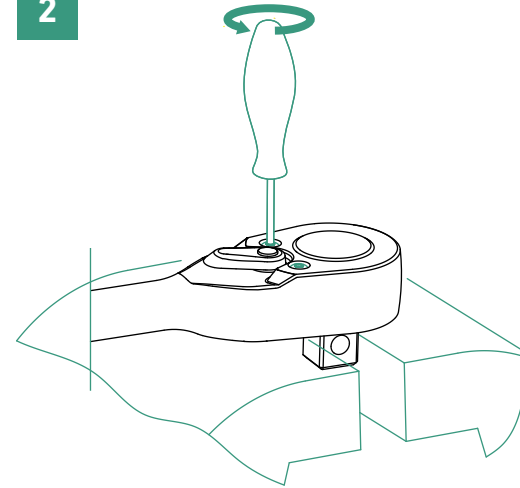
SPARE PARTS

		
415	1/4"	19010000
435	3/8"	19020000
512 // 516 // 532 // 532/1 // 532/2	1/2"	19040000
552	3/4"	19050000
882	1"	19070000

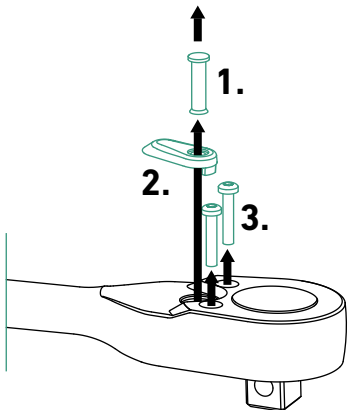
1



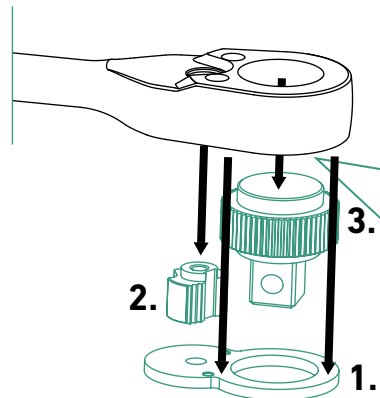
2



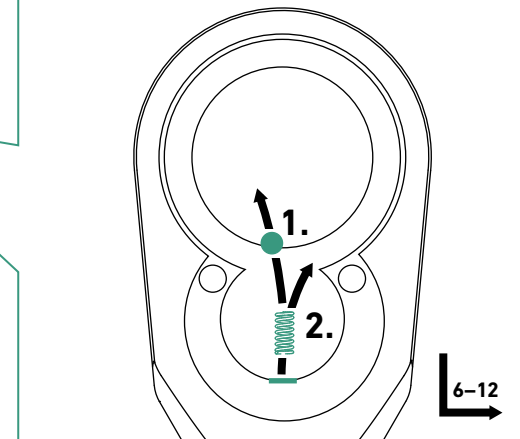
3



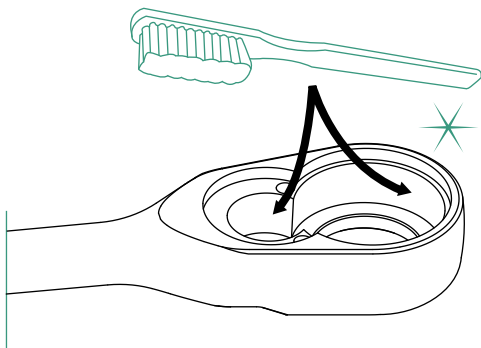
4



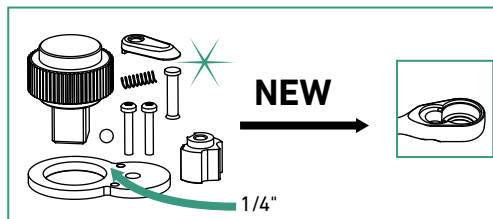
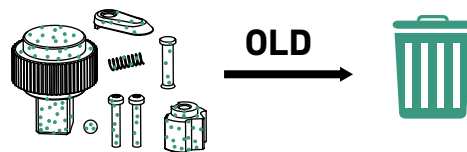
5



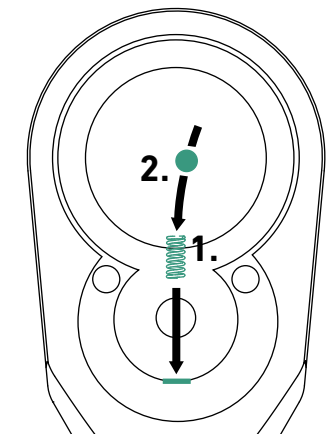
6 CLEAN



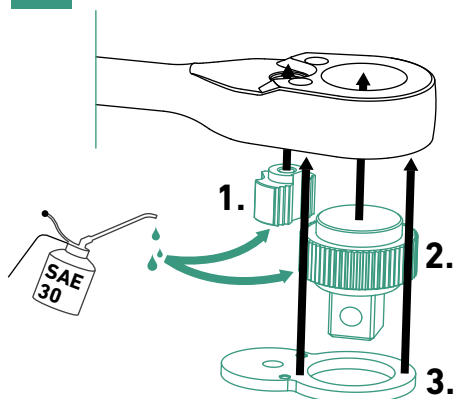
7



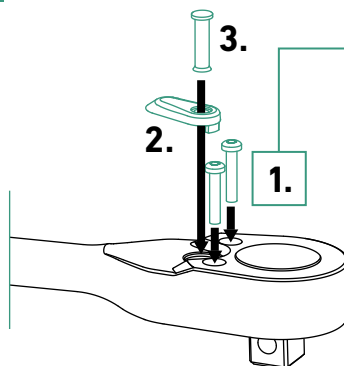
8



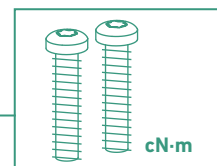
9



10



11



Nr.	■	M _A
415	1/4"	28 + 2 cN-m
435	3/8"	80 + 10 cN-m
512	1/2"	125 + 10 cN-m
516	1/2"	125 + 10 cN-m
532	1/2"	125 + 10 cN-m
532/1	1/2"	125 + 10 cN-m
532/2	1/2"	125 + 10 cN-m
552	3/4"	800 + 50 cN-m
882	1"	800 + 50 cN-m

TOOLS THAT
... inspire

STAHLWILLE Eduard Wille GmbH & Co. KG
Lindenallee 27 · 42349 Wuppertal · Germany
Tel.: +49 202 4791-0 · Fax: +49 202 4791-200
info@stahlwille.de · www.stahlwille.com

service.stahlwille.com



12

