



## Socket

60

Art.No. 06010030

GTIN 4018754009879

Model 60 30



**Label.** 1" Socket size 30mm L.65mm

**Features.**

- DIN 3124/ISO 2725-1
- AS-drive and HPQ® high performance steel up to 36 mm, chrome plated

## Advantages.

DIN 3124/ISO 2725-1

STAHLWILLE: For over 160 years, we as a traditional German company from Wuppertal have stood for tools that are appreciated around the world for their excellent quality

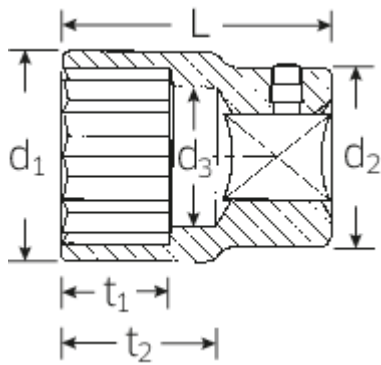
## Product highlights.



### CONVENIENT.

Do you need empty cases? If so, include the appropriate hard-foam inlays from STAHLWILLE in your order. Together with the new tool cases, they ensure an exact fit and, as a result, excellent protection for your tools.

## Technical Drawing.



## Technical Attributes.

Output profile	Double hexagon AS-drive
Drive square internal (inch)	1"
d1	42,5 mm
d2	43 mm
d3	27 mm
Length mm (L)	65 mm
Size [mm]	30 mm
t1	20 mm
t2	33,1 mm

## Logistics data.

Length (IFS)	65
Width (IFS)	43
Height (IFS)	43
Length (packed, mm)	90
Width (packed, mm)	70
Height (packed, mm)	44
Volume (packed, mm)	0.2772 dm <sup>3</sup>
Code	06010030
Weight (gross, kg)	0,755
Weight PAP (kg)	0,000
Weight PVC (kg)	0,006
GTIN	4018754009879
Country of origin	GERMANY
Region of origin	Nordrhein-Westfalen
WEEE/Electrical Act	nicht ear-pflichtig
Customs tariff no.	82042000
Numbers of content units per order units	2
Weight	371 g

## Variants.

Code	Article number (ERP)	Article description (Autom.)	GTIN
06010030	60 30	1" Socket size 30mm L.65mm	4018754009879
06010032	60 32	1" Socket size 32mm L.67mm	4018754009886

06010034	60 34	1" Socket size 34mm L.67mm	4018754009893
06010036	60 36	1" Socket size 36mm L.67mm	4018754009909
06010041	60 41	1" Socket size 41mm L.70mm	4018754009916
06010046	60 46	1" Socket size 46mm L.75mm	4018754009923
06010050	60 50	1" Socket size 50mm L.80mm	4018754009930
06010055	60 55	1" Socket size 55mm L.85mm	4018754009947
06010060	60 60	1" Socket size 60mm L.90mm	4018754009954

## GTIN-Code.



**STAHLWILLE Eduard Wille GmbH & Co. KG**

Lindenallee 27 · 42349 Wuppertal · Germany · Phone: +49 202 4791-0 · Fax: +49 202 4791-200

info@stahlwille.de · www.stahlwille.com · Copyright by STAHLWILLE Eduard Wille GmbH & Co. KG, Wuppertal

Copyright by STAHLWILLE Eduard Wille GmbH & Co. KG, Wuppertal