

Screwdriver socket

44PZ



Art.No. **01300002**
GTIN **4018754152643**
Model **44 PZ 2**
SCHRAUBENDREHEREINSATZ 1/4
ZOLL

Label. 1/4" Screwdriver socket PZ2 L.28mm

Features.

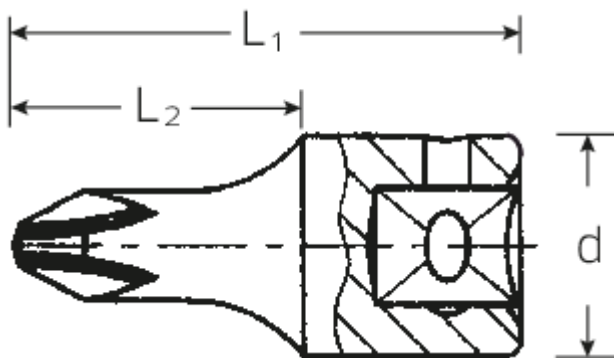
- for POZIDRIV/SUPADRIV® screws
- Chrome Alloy Steel, chrome plated

Advantages.

For POZIDRIV/SUPADRIV® screws

STAHLWILLE: For over 160 years, we as a traditional German company from Wuppertal have stood for tools that are appreciated around the world for their excellent quality

Technical Drawing.



Technical Attributes.

Output profile	POZIDRIV/SUPADRIV®
Drive square internal (inch)	1/4"
d	11,6 mm
Size Output profile	PZ2
L1	28 mm
L2	16 mm

Logistics data.

Length (IFS)	28
Width (IFS)	12
Height (IFS)	12
Length (packed, mm)	50
Width (packed, mm)	20
Height (packed, mm)	20
Volume (packed, mm)	0.02 dm3
Code	01300002
Weight (gross, kg)	0,056
Weight PAP (kg)	0,000
Weight PVC (kg)	0,002
GTIN	4018754152643
Country of origin	GERMANY
Region of origin	Nordrhein-Westfalen
WEEE/Electrical Act	nicht ear-pflichtig
Customs tariff no.	82042000
Numbers of content units per order units	5
Weight	11 g

Variants.

Code	Article number (ERP)	Article description (Autom.)	GTIN
01300001	44 PZ 1 SCHRAUBENDREHEREINSATZ 1/4 ZOLL	1/4" Screwdriver socket PZ1 L.28mm	4018754152636
01300002	44 PZ 2 SCHRAUBENDREHEREINSATZ 1/4 ZOLL	1/4" Screwdriver socket PZ2 L.28mm	4018754152643

GTIN-Code.





STAHLWILLE Eduard Wille GmbH & Co. KG

Lindenallee 27 · 42349 Wuppertal · Germany · Phone: +49 202 4791-0 · Fax: +49 202 4791-200
info@stahlwille.de · www.stahlwille.com · Copyright by STAHLWILLE Eduard Wille GmbH & Co. KG, Wuppertal
Copyright by STAHLWILLE Eduard Wille GmbH & Co. KG, Wuppertal