



UNIFLEX sockets

402aK

Art.No. 01541024
GTIN 4018754150243
Model 402 A K 3/8



Label. 1/4" UNIFLEX sockets size 3/8" L.34mm

Features.

- short version
- HPQ® high performance steel, chrome plated

Advantages.

Extra short version

STAHLWILLE: For over 160 years, we as a traditional German company from Wuppertal have stood for tools that are appreciated around the world for their excellent quality

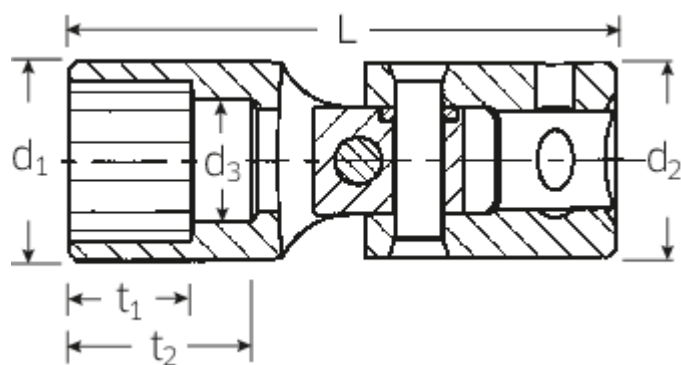
Technologies and features.



High Performance Quality (HPQ®)

High-performance steel, extremely resilient, yet thin-walled and ideal for working in confined spaces.

Technical Drawing.



Technical Attributes.

Output profile	Double hexagon AS-drive
Drive square internal (inch)	1/4"
d1	13,6 mm
d2	12,7 mm
d3	6,7 mm
Length mm (L)	34 mm
Size [inch]	3/8 "
t1	9,1 mm
t2	12,0 mm

Logistics data.

Length (IFS)	34
Width (IFS)	13
Height (IFS)	13
Length (packed, mm)	100
Width (packed, mm)	60
Height (packed, mm)	14
Volume (packed, mm)	0.084 dm ³
Code	01541024
Weight (gross, kg)	0,098
Weight PAP (kg)	0,000
Weight PVC (kg)	0,002
GTIN	4018754150243
Country of origin	GERMANY
Region of origin	Nordrhein-Westfalen
WEEE/Electrical Act	nicht ear-pflichtig
Customs tariff no.	82042000
Numbers of content units per order units	5
Weight	19 g

Variants.

Code	Article number (ERP)	Article description (Autom._)	GTIN
01541024	402 A K 3/8	1/4" UNIFLEX sockets size 3/8" L.34mm	4018754150243
01541034	402 A K 9/16	1/4" UNIFLEX sockets size 9/16" L.37,5mm	4018754146772

GTIN-Code.



STAHLWILLE Eduard Wille GmbH & Co. KG

Lindenallee 27 · 42349 Wuppertal · Germany · Phone: +49 202 4791-0 · Fax: +49 202 4791-200
info@stahlwille.de · www.stahlwille.com · Copyright by STAHLWILLE Eduard Wille GmbH & Co. KG, Wuppertal
Copyright by STAHLWILLE Eduard Wille GmbH & Co. KG, Wuppertal