



Socket

51aP

Art.No. 03421041
GTIN 4018754181414
Model 51AP 25/32



Label. 1/2" Socket size 25/32" L.80mm

Features.

- extra deep
- bolt clearance
- for the brakes on A320/A321
- HPQ® high performance steel, gunmetal finish

Advantages.

Long

STAHLWILLE: For over 160 years, we as a traditional German company from Wuppertal have stood for tools that are appreciated around the world for their excellent quality

Product highlights.



CONVENIENT.

Do you need empty cases? If so, include the appropriate hard-foam inlays from STAHLWILLE in your order. Together with the new tool cases, they ensure an exact fit and, as a result, excellent protection for your tools.

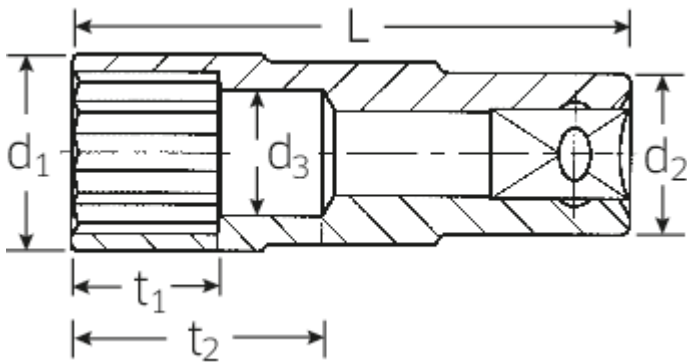
Technologies and features.



High Performance Quality (HPQ®)

High-performance steel, extremely resilient, yet thin-walled and ideal for working in confined spaces.

Technical Drawing.



Technical Attributes.

Output profile	Double hexagon
Drive square internal (inch)	1/2"
d1	28 mm
d2	23 mm
d3	17,9 mm
Length mm (L)	80 mm
Size [inch]	25/32 "
t1	21 mm
t2	36 mm

Logistics data.

Length (IFS)	80
Width (IFS)	28
Height (IFS)	28
Length (packed, mm)	85
Width (packed, mm)	40
Height (packed, mm)	40
Volume (packed, mm)	0.136 dm ³
Code	03421041
Weight (gross, kg)	0,182
Weight PAP (kg)	0,000
Weight PVC (kg)	0,003
GTIN	4018754181414
Country of origin	GERMANY
Region of origin	Nordrhein-Westfalen
WEEE/Electrical Act	nicht ear-pflichtig
Customs tariff no.	82042000
Numbers of content units per order units	1
Weight	182 g

Variants.

Code	Article number (ERP)	Article description (Autom.)	GTIN
03421041	51AP 25/32	1/2" Socket size 25/32" L.80mm	4018754181414

GTIN-Code.



STAHLWILLE Eduard Wille GmbH & Co. KG

Lindenallee 27 · 42349 Wuppertal · Germany · Phone: +49 202 4791-0 · Fax: +49 202 4791-200
info@stahlwille.de · www.stahlwille.com · Copyright by STAHLWILLE Eduard Wille GmbH & Co. KG, Wuppertal
Copyright by STAHLWILLE Eduard Wille GmbH & Co. KG, Wuppertal