

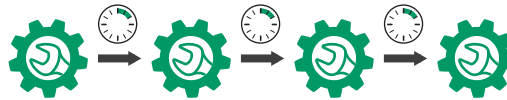
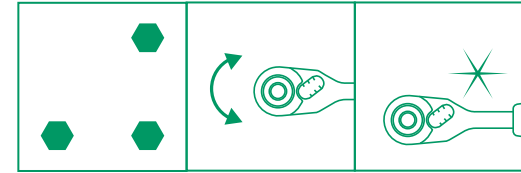
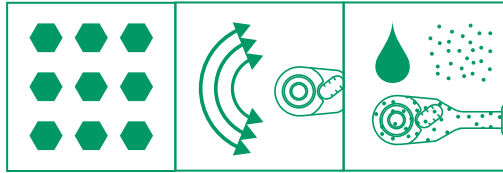
FREQUENT USE

INFREQUENT USE

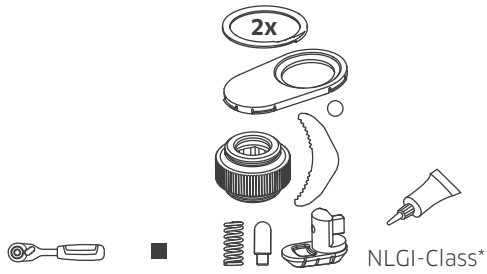


415SGB N
418B

Repair instructions

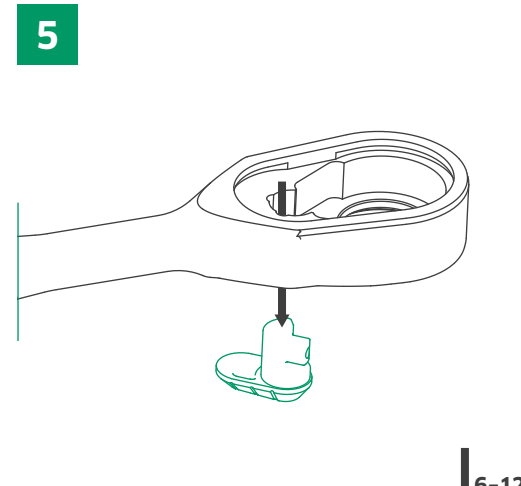
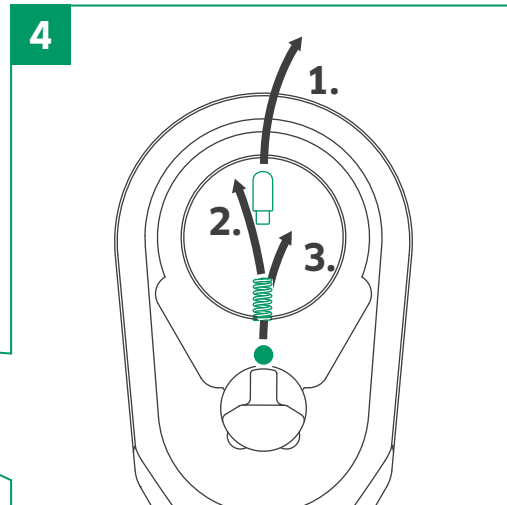
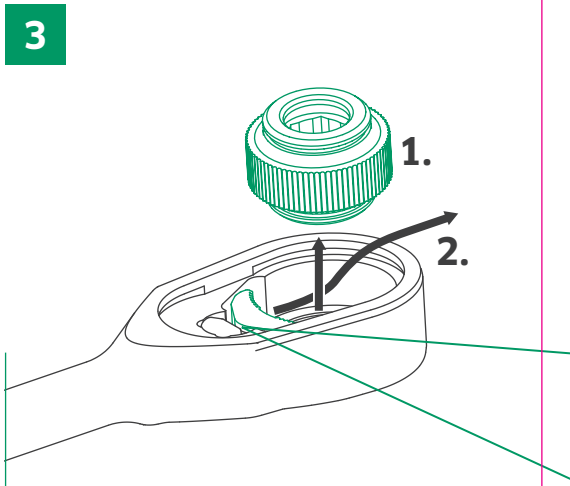
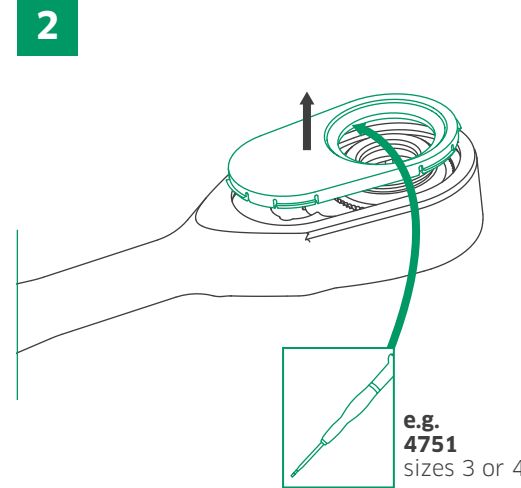
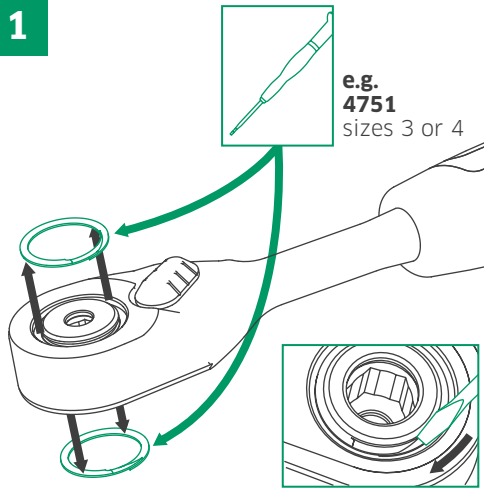


SPARE PARTS

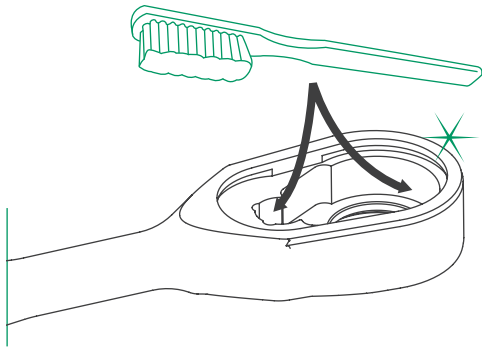


			NLGI-Class*
415SGB N	1/4"	19 01 00 12	2-3
418B	1/4"	19 01 00 12	2-3

*ASTM D217, DIN 51818



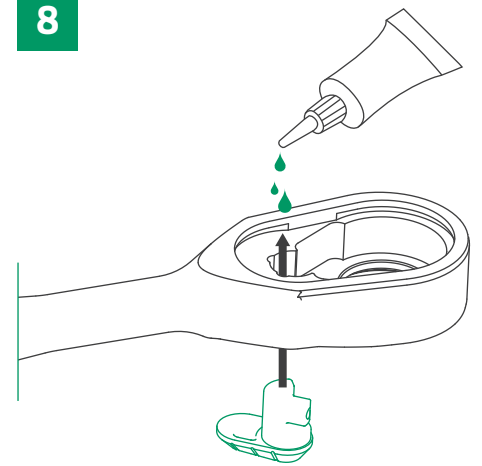
6 CLEAN



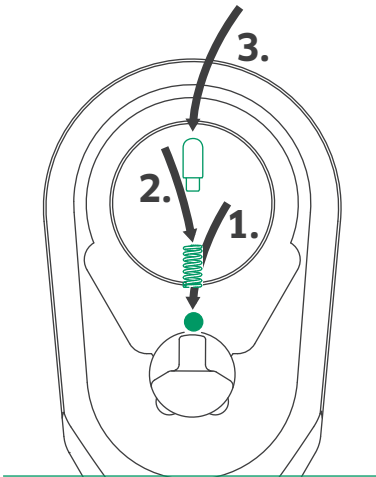
7



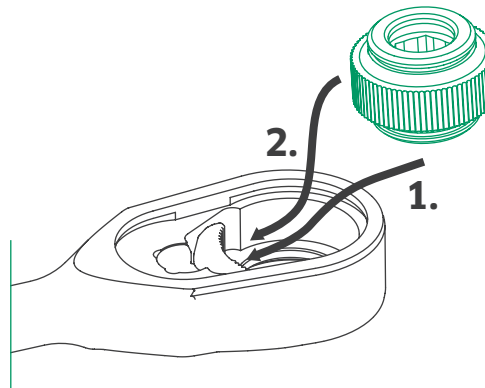
8



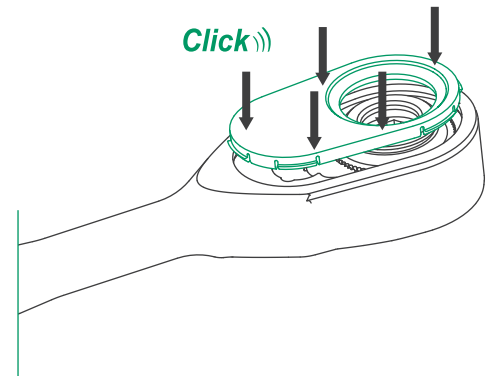
9



10



11



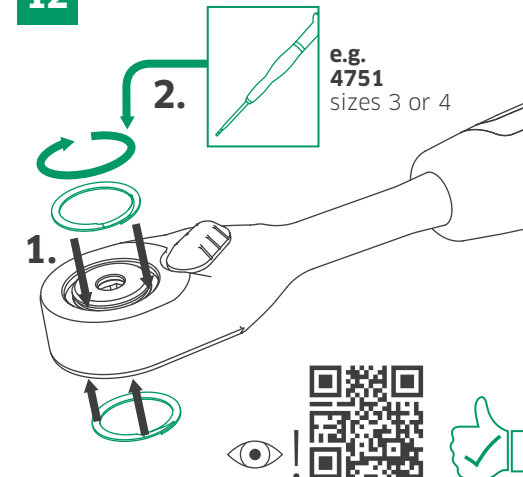
**Premium
tool solutions**
Made in Germany

 Made in
Germany

service.stahlwille.de



12



STAHLWILLE Eduard Wille GmbH & Co. KG
Lindenallee 27 · 42349 Wuppertal · Germany
Tel.: +49 202 4791-0 · Fax: +49 202 4791-200
support@stahlwille.de · www.stahlwille.de

91 97 40 00

Printed in Germany - Copyright by STAHLWILLE Eduard Wille GmbH & Co.
KG, Wuppertal - 5/07/21 DHF