



UNIFLEX sockets

402

Art.No. 01140006
GTIN 4018754140978
Model 402 6



Label. 1/4" UNIFLEX sockets size 6mm L.32mm

Features. • HPQ® high performance steel, chrome plated

Advantages.

STAHLWILLE: For over 160 years, we as a traditional German company from Wuppertal have stood for tools that are appreciated around the world for their excellent quality

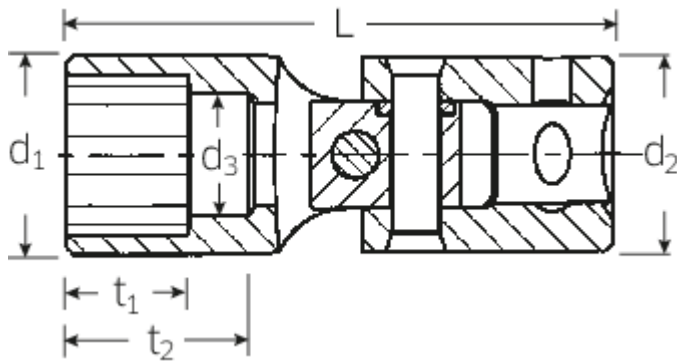
Technologies and features.



High Performance Quality (HPQ®)

High-performance steel, extremely resilient, yet thin-walled and ideal for working in confined spaces.

Technical Drawing.



Technical Attributes.

Output profile	Double hexagon AS-drive
Drive square internal (inch)	1/4"
d1	9,2 mm
d2	12,7 mm
d3	5 mm
Length mm (L)	32 mm
Size [mm]	6 mm
t1	5,5 mm
t2	10 mm

Logistics data.

Length (IFS)	31
Width (IFS)	13
Height (IFS)	13
Length (packed, mm)	100
Width (packed, mm)	40
Height (packed, mm)	13
Volume (packed, mm)	0.052 dm ³
Code	01140006
Weight (gross, kg)	0,086
Weight PAP (kg)	0,000
Weight PVC (kg)	0,002
GTIN	4018754140978
Country of origin	GERMANY
Region of origin	Nordrhein-Westfalen
WEEE/Electrical Act	nicht ear-pflichtig
Customs tariff no.	82042000
Numbers of content units per order units	5
Weight	16 g

Variants.

Code	Article number (ERP)	Article description (Autom.)	GTIN
01140006	402 6	1/4" UNIFLEX sockets size 6mm L.32mm	4018754140978
01140007	402 7	1/4" UNIFLEX sockets size 7mm L.33,5mm	4018754000678

01140008	402 8	1/4" UNIFLEX sockets size 8mm L.35mm	4018754000685
01140009	402 9	1/4" UNIFLEX sockets size 9mm L.36mm	4018754000692
01140010	402 10	1/4" UNIFLEX sockets size 10mm L.38mm	4018754000708

GTIN-Code.



STAHLWILLE Eduard Wille GmbH & Co. KG

Lindenallee 27 · 42349 Wuppertal · Germany · Phone: +49 202 4791-0 · Fax: +49 202 4791-200
info@stahlwille.de · www.stahlwille.com · Copyright by STAHLWILLE Eduard Wille GmbH & Co. KG, Wuppertal
Copyright by STAHLWILLE Eduard Wille GmbH & Co. KG, Wuppertal