



## Socket

**45**

Art.No. **02010009**  
GTIN **4018754001927**  
Model **45 9**



**Label.** 3/8" Socket size 9mm L.25mm

**Features.**

- DIN 3124/ISO 2725-1, ASME B 107.5M, DIN EN 3709
- HPQ® high performance steel, chrome plated

## Advantages.

DIN 3124/ISO 2725-1, ASME B 107.5M, E DIN EN 3709

STAHLWILLE: For over 160 years, we as a traditional German company from Wuppertal have stood for tools that are appreciated around the world for their excellent quality

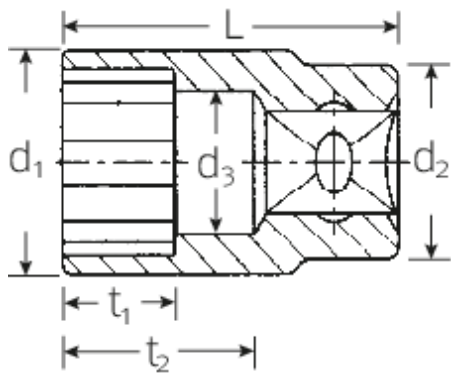
## Product highlights.



### CONVENIENT.

Do you need empty cases? If so, include the appropriate hard-foam inlays from STAHLWILLE in your order. Together with the new tool cases, they ensure an exact fit and, as a result, excellent protection for your tools.

## Technical Drawing.



## Technical Attributes.

Output profile	Double hexagon AS-drive
Drive square internal (inch)	3/8"
d1	13 mm
d2	16,5 mm
d3	8 mm
Length mm (L)	25 mm
Size [mm]	9 mm
t1	7 mm
t2	13,5 mm

## Logistics data.

Length (IFS)	23
Width (IFS)	17
Height (IFS)	17
Length (packed, mm)	86
Width (packed, mm)	35
Height (packed, mm)	24
Volume (packed, mm)	0.07224 dm <sup>3</sup>
Code	02010009
Weight (gross, kg)	0,190
Weight PAP (kg)	0,000
Weight PVC (kg)	0,003
GTIN	4018754001927
Country of origin	GERMANY
Region of origin	Nordrhein-Westfalen
WEEE/Electrical Act	nicht ear-pflichtig
Customs tariff no.	82042000
Numbers of content units per order units	10
Weight	19 g

## Variants.

Code	Article number (ERP)	Article description (Autom._)	GTIN
02010007	45 7	3/8" Socket size 7mm L.24mm	4018754001903
02010008	45 8	3/8" Socket size 8mm L.25mm	4018754001910

02010009	45 9	3/8" Socket size 9mm L.25mm	4018754001927
02010010	45 10	3/8" Socket size 10mm L.27mm	4018754001934
02010011	45 11	3/8" Socket size 11mm L.27mm	4018754001941
02010012	45 12	3/8" Socket size 12mm L.28mm	4018754001958
02010013	45 13	3/8" Socket size 13mm L.30mm	4018754001965
02010014	45 14	3/8" Socket size 14mm L.30mm	4018754001972
02010015	45 15	3/8" Socket size 15mm L.31mm	4018754001989
02010016	45 16	3/8" Socket size 16mm L.31mm	4018754001996
02010017	45 17	3/8" Socket size 17mm L.31mm	4018754002009
02010018	45 18	3/8" Socket size 18mm L.32mm	4018754002016
02010019	45 19	3/8" Socket size 19mm L.32mm	4018754002023
02010020	45 20	3/8" Socket size 20mm L.34mm	4018754002030
02010021	45 21	3/8" Socket size 21mm L.34mm	4018754002047
02010022	45 22	3/8" Socket size 22mm L.35mm	4018754002054
02010024	45 24	3/8" Socket size 24mm L.35mm	4018754149148

## GTIN-Code.



### STAHLWILLE Eduard Wille GmbH & Co. KG

Lindenallee 27 · 42349 Wuppertal · Germany · Phone: +49 202 4791-0 · Fax: +49 202 4791-200  
info@stahlwille.de · www.stahlwille.com · Copyright by STAHLWILLE Eduard Wille GmbH & Co. KG, Wuppertal  
Copyright by STAHLWILLE Eduard Wille GmbH & Co. KG, Wuppertal