



Socket

45

Art.No. 02010024
GTIN 4018754149148
Model 45 24



Label. 3/8" Socket size 24mm L.35mm

Features.

- DIN 3124/ISO 2725-1, ASME B 107.5M, DIN EN 3709
- HPQ® high performance steel, chrome plated

Advantages.

DIN 3124/ISO 2725-1, ASME B 107.5M, E DIN EN 3709

STAHLWILLE: For over 160 years, we as a traditional German company from Wuppertal have stood for tools that are appreciated around the world for their excellent quality

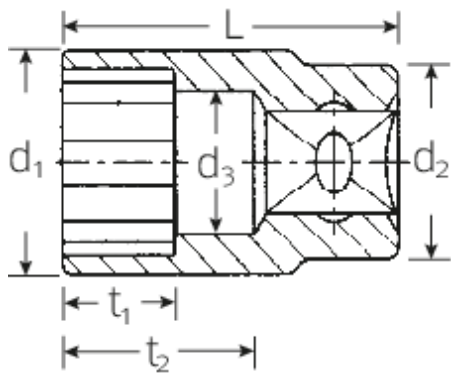
Product highlights.



CONVENIENT.

Do you need empty cases? If so, include the appropriate hard-foam inlays from STAHLWILLE in your order. Together with the new tool cases, they ensure an exact fit and, as a result, excellent protection for your tools.

Technical Drawing.



Technical Attributes.

Output profile	Double hexagon AS-drive
Drive square internal (inch)	3/8"
d1	31,5 mm
d2	24 mm
d3	21 mm
Height mm (h)	32 mm
Length mm (L)	35 mm
Size [mm]	24 mm
t1	18 mm
t2	21,2 mm

Logistics data.

Length (IFS)	35
Width (IFS)	32
Height (IFS)	32
Length (packed, mm)	190
Width (packed, mm)	100
Height (packed, mm)	33
Volume (packed, mm)	0.627 dm ³
Code	02010024
Weight (gross, kg)	0,465
Weight PAP (kg)	0,000
Weight PVC (kg)	0,005
GTIN	4018754149148
Country of origin	GERMANY
Region of origin	Nordrhein-Westfalen
WEEE/Electrical Act	nicht ear-pflichtig
Customs tariff no.	82042000
Numbers of content units per order units	5
Weight	92 g

Variants.

Code	Article number (ERP)	Article description (Autom._)	GTIN
02010007	45 7	3/8" Socket size 7mm L.24mm	4018754001903
02010008	45 8	3/8" Socket size 8mm L.25mm	4018754001910

02010009	45 9	3/8" Socket size 9mm L.25mm	4018754001927
02010010	45 10	3/8" Socket size 10mm L.27mm	4018754001934
02010011	45 11	3/8" Socket size 11mm L.27mm	4018754001941
02010012	45 12	3/8" Socket size 12mm L.28mm	4018754001958
02010013	45 13	3/8" Socket size 13mm L.30mm	4018754001965
02010014	45 14	3/8" Socket size 14mm L.30mm	4018754001972
02010015	45 15	3/8" Socket size 15mm L.31mm	4018754001989
02010016	45 16	3/8" Socket size 16mm L.31mm	4018754001996
02010017	45 17	3/8" Socket size 17mm L.31mm	4018754002009
02010018	45 18	3/8" Socket size 18mm L.32mm	4018754002016
02010019	45 19	3/8" Socket size 19mm L.32mm	4018754002023
02010020	45 20	3/8" Socket size 20mm L.34mm	4018754002030
02010021	45 21	3/8" Socket size 21mm L.34mm	4018754002047
02010022	45 22	3/8" Socket size 22mm L.35mm	4018754002054
02010024	45 24	3/8" Socket size 24mm L.35mm	4018754149148

GTIN-Code.



STAHLWILLE Eduard Wille GmbH & Co. KG

Lindenallee 27 · 42349 Wuppertal · Germany · Phone: +49 202 4791-0 · Fax: +49 202 4791-200
info@stahlwille.de · www.stahlwille.com · Copyright by STAHLWILLE Eduard Wille GmbH & Co. KG, Wuppertal
Copyright by STAHLWILLE Eduard Wille GmbH & Co. KG, Wuppertal