



UNIFLEX sockets

402a

Art.No. **01540014**
GTIN **4018754173570**
Model **402 A 7/32**



Label. 1/4" UNIFLEX sockets size 7/32" L.32mm

Features.

- SAE AS 954, ASME B 107.1
- HPQ® high performance steel, chrome plated

Advantages.

SAE AS 954-E, ASME B 107.1

STAHLWILLE: For over 160 years, we as a traditional German company from Wuppertal have stood for tools that are appreciated around the world for their excellent quality

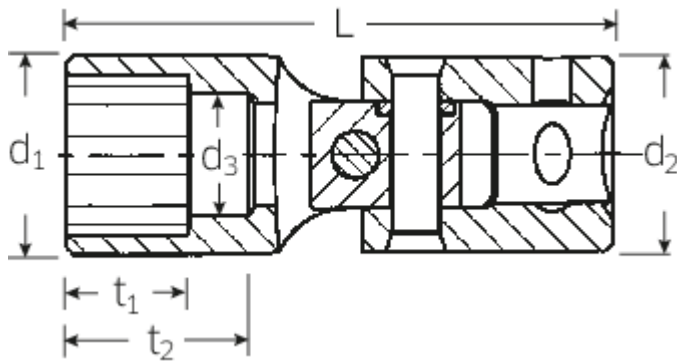
Technologies and features.



High Performance Quality (HPQ®)

High-performance steel, extremely resilient, yet thin-walled and ideal for working in confined spaces.

Technical Drawing.



Technical Attributes.

Output profile	Double hexagon AS-drive
Drive square internal (inch)	1/4"
d1	8,6 mm
d2	12,7 mm
d3	4,8 mm
Length mm (L)	32 mm
Size [inch]	7/32 "
t1	5,5 mm
t2	10 mm

Logistics data.

Length (IFS)	32
Width (IFS)	12
Height (IFS)	12
Length (packed, mm)	95
Width (packed, mm)	13
Height (packed, mm)	13
Volume (packed, mm)	0.016055 dm3
Code	01540014
Weight (gross, kg)	0,090
Weight PAP (kg)	0,000
Weight PVC (kg)	0,002
GTIN	4018754173570
Country of origin	GERMANY
Region of origin	Nordrhein-Westfalen
WEEE/Electrical Act	nicht ear-pflichtig
Customs tariff no.	82042000
Numbers of content units per order units	5
Weight	17 g

Variants.

Code	Article number (ERP)	Article description (Autom.)	GTIN
01540014	402 A 7/32	1/4" UNIFLEX sockets size 7/32" L.32mm	4018754173570
01540016	402 A 1/4	1/4" UNIFLEX sockets size 1/4" L.32mm	4018754001590

01540018	402 A 9/32	1/4" UNIFLEX sockets size 9/32" L.32mm	4018754173587
01540020	402 A 5/16	1/4" UNIFLEX sockets size 5/16" L.35mm	4018754001606
01540022	402 A 11/32	1/4" UNIFLEX sockets size 11/32" L.35mm	4018754173594
01540024	402 A 3/8	1/4" UNIFLEX sockets size 3/8" L.38mm	4018754001613
01540028	402 A 7/16	1/4" UNIFLEX sockets size 7/16" L.39,5mm	4018754001620
01540032	402 A 1/2	1/4" UNIFLEX sockets size 1/2" L.41,5mm	4018754001637

GTIN-Code.



STAHLWILLE Eduard Wille GmbH & Co. KG

Lindenallee 27 · 42349 Wuppertal · Germany · Phone: +49 202 4791-0 · Fax: +49 202 4791-200
info@stahlwille.de · www.stahlwille.com · Copyright by STAHLWILLE Eduard Wille GmbH & Co. KG, Wuppertal
Copyright by STAHLWILLE Eduard Wille GmbH & Co. KG, Wuppertal