



Socket

45aP

Art.No. 02430020
GTIN 4018754163953
Model 45AP 5/16



Label. 3/8" Socket size 5/16" L.25mm

Features.

- ASME B 107.1, Fed. Spec. GGG-W-641, SAE AS 954-E (test loads)
- for disassembling jet engines, series CFM 56
- HPQ® high performance steel, gunmetal finish

Advantages.

ASME B 107.1, Fed. Spec. GGG-W-641, SAE AS 954-E
(test values)

STAHLWILLE: For over 160 years, we as a traditional German company from Wuppertal have stood for tools that are appreciated around the world for their excellent quality

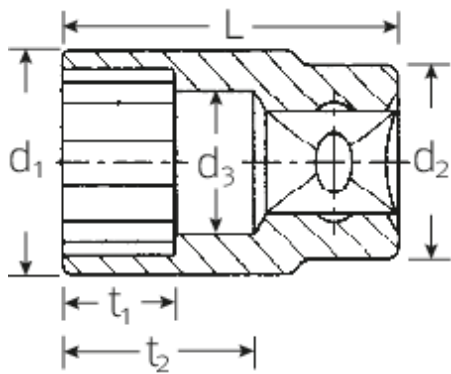
Product highlights.



CONVENIENT.

Do you need empty cases? If so, include the appropriate hard-foam inlays from STAHLWILLE in your order. Together with the new tool cases, they ensure an exact fit and, as a result, excellent protection for your tools.

Technical Drawing.



Technical Attributes.

Output profile	Double hexagon AS-drive
Drive square internal (inch)	3/8"
d1	11,9 mm
d2	16,5 mm
d3	8,1 mm
Length mm (L)	25 mm
Size [inch]	5/16 "
t1	7 mm
t2	13,5 mm

Logistics data.

Length (IFS)	25
Width (IFS)	17
Height (IFS)	17
Length (packed, mm)	100
Width (packed, mm)	60
Height (packed, mm)	18
Volume (packed, mm)	0.108 dm ³
Code	02430020
Weight (gross, kg)	0,196
Weight PAP (kg)	0,000
Weight PVC (kg)	0,003
GTIN	4018754163953
Country of origin	GERMANY
Region of origin	Nordrhein-Westfalen
WEEE/Electrical Act	nicht ear-pflichtig
Customs tariff no.	82042000
Numbers of content units per order units	10
Weight	19 g

Variants.

Code	Article number (ERP)	Article description (Autom._)	GTIN
02430020	45AP 5/16	3/8" Socket size 5/16" L.25mm	4018754163953

GTIN-Code.



STAHLWILLE Eduard Wille GmbH & Co. KG

Lindenallee 27 · 42349 Wuppertal · Germany · Phone: +49 202 4791-0 · Fax: +49 202 4791-200
info@stahlwille.de · www.stahlwille.com · Copyright by STAHLWILLE Eduard Wille GmbH & Co. KG, Wuppertal
Copyright by STAHLWILLE Eduard Wille GmbH & Co. KG, Wuppertal